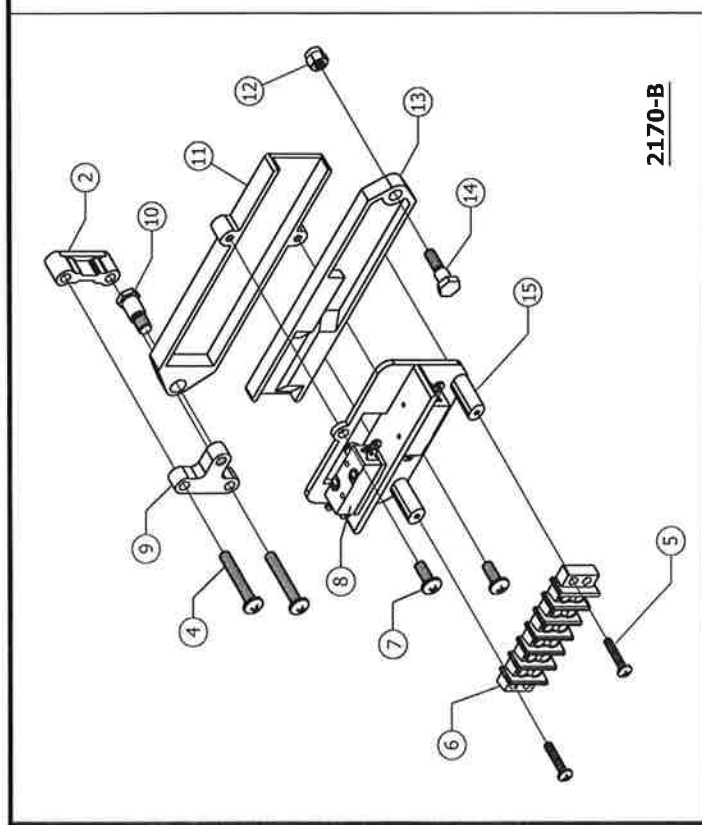


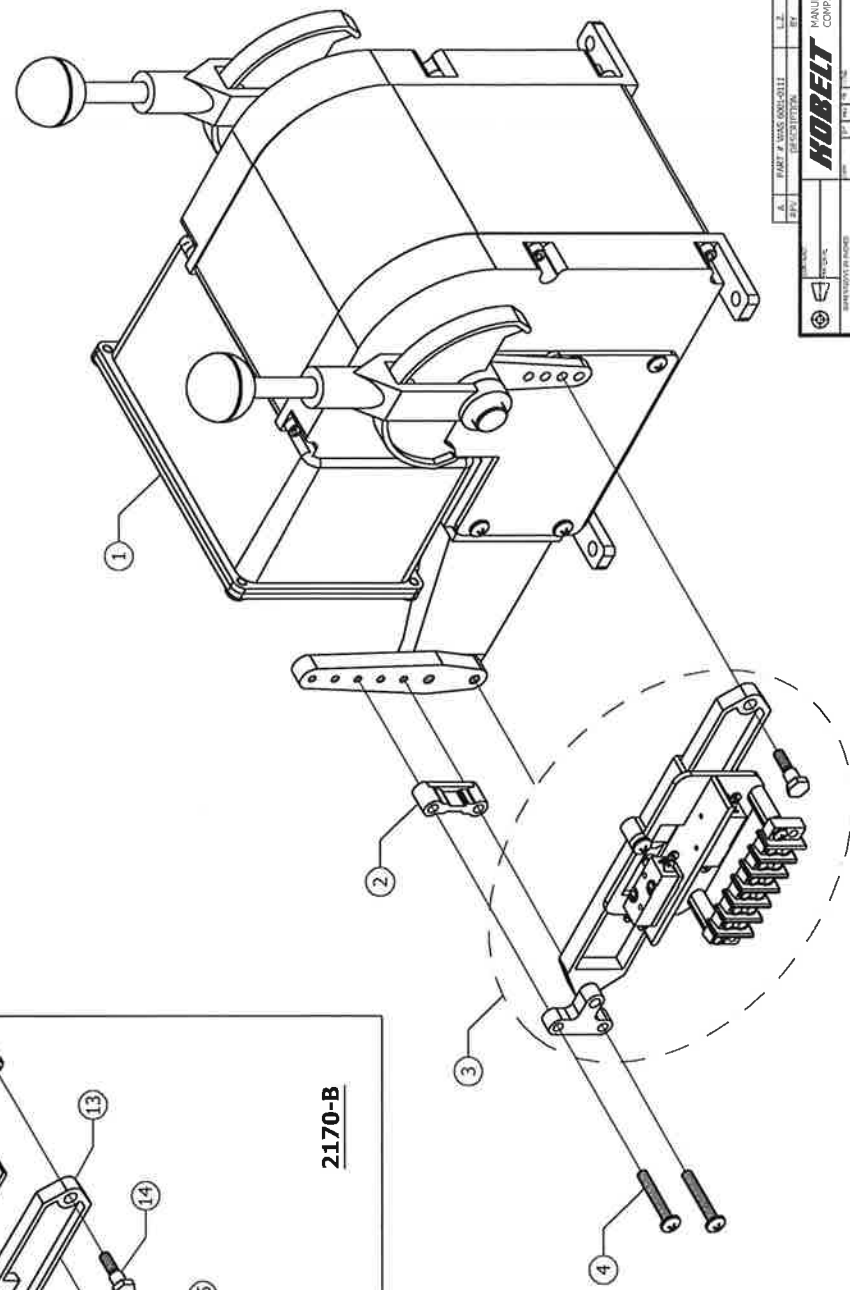
| Parts List | | | | Parts List | | | |
|------------|-----|------------|-------------------------|------------|-----|-----------|------------------------------------|
| ITEM | QTY | PART # | DESCRIPTION | ITEM | QTY | PART # | DESCRIPTION |
| 9 | 1 | 2170-0004B | BRACKET | 1 | 1 | 6527 | ELECTRONIC CONTROL ACTUATOR |
| 10 | 1 | 2170-0005B | SHOULDER BOLT | 2 | 1 | 2109-0003 | SPACER BAR, 1/2" |
| 11 | 1 | 2170-0001B | FIX END | 3 | 1 | 2170-B | ELECTRONIC CLUTCH ADAPTOR |
| 12 | 1 | 1022-0308 | LOCK NUT, 10-24NC NYLOK | 4 | 2 | 1012-0816 | PAN HD PHILIP M. SCREW, 10-24X1 |
| 13 | 1 | 2170-0002B | SLIDE | 5 | 2 | 1012-0608 | PAN HD PHILIP M. SCREW, 6-32 X 1/2 |
| 14 | 1 | 2170-0006B | SHOULDER BOLT | 6 | 1 | 6009-0006 | TERMINAL BLOCK CINCH 6-140 |
| 15 | 1 | 2170-0003B | SLIDE RETAINER | 7 | 2 | 1010-0808 | RND. HD PHILIP M. SCREW, 10-24X1/2 |
| | | | | 8 | 2 | 6001-0104 | MICROSWITCH C/W ROLLER & LEVER |

NOTE:

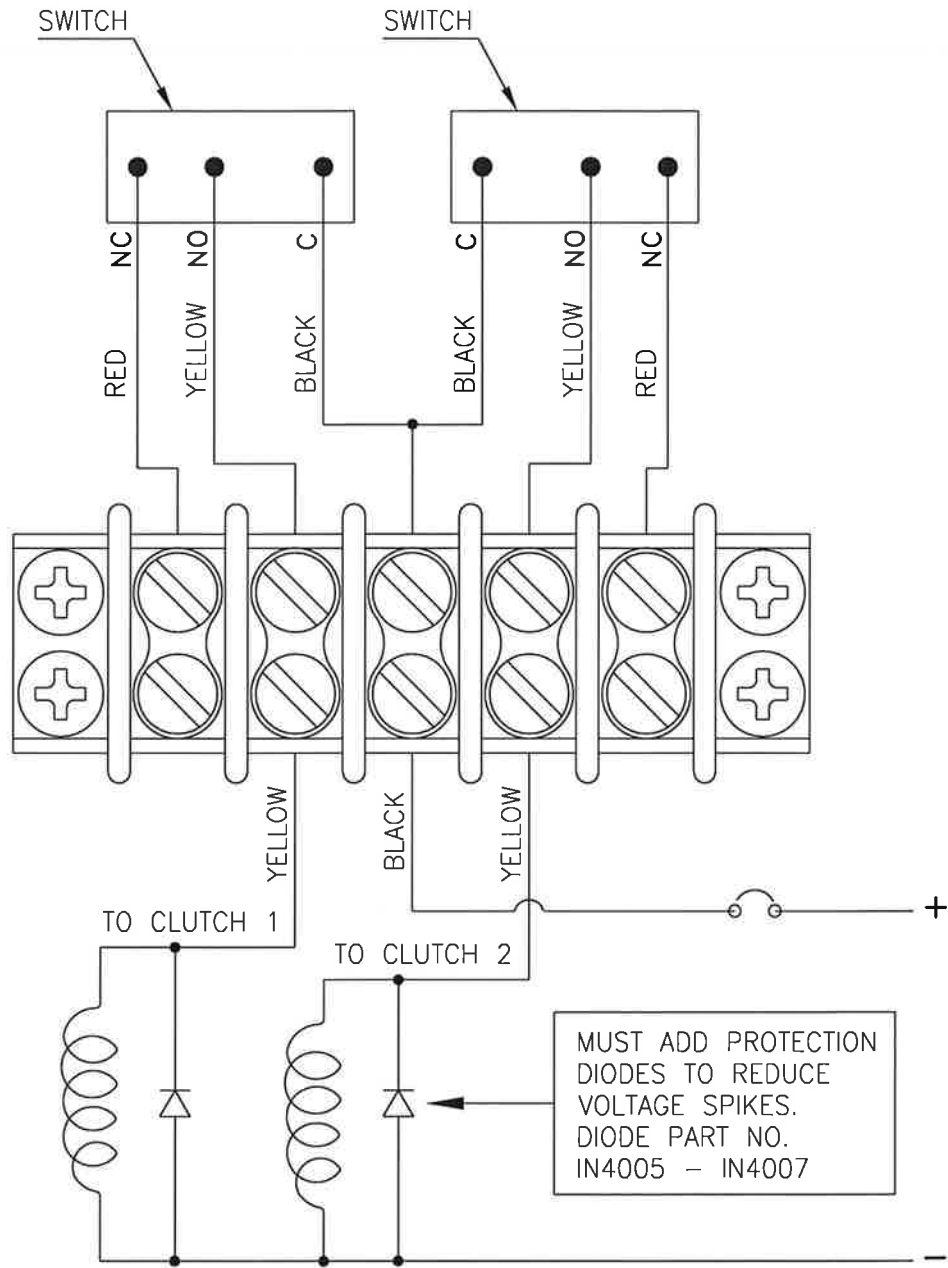
- 1). ACTUATOR MUST BE SET AT MINIMUM STROKE
- 2). ITEM 4 SCREWS MUST BE INSTALLED WITH THREAD LOCK.



2170-B



| | | | | | | | |
|-------------------------|--|-------------------------|--|-------------------------------|--|-------------------------|--|
| PART # | | L.Z. | | REV. | | DATE | |
| A. PART # WAS 0001-0111 | | L.Z. | | 002412 | | 04.18 | |
| ELECTRIFLEX | | | | | | | |
| HOBELT | | | | MANUFACTURING COMPANY LIMITED | | | |
| REV. 001 | | REV. 001 | | REV. 001 | | REV. 001 | |
| L.Z. 03.11.09 | | L.Z. 03.11.09 | | L.Z. 03.11.09 | | L.Z. 03.11.09 | |
| ELECTRIC CLUTCH CONTROL | | ELECTRIC CLUTCH CONTROL | | ELECTRIC CLUTCH CONTROL | | ELECTRIC CLUTCH CONTROL | |
| (HEAVY DUTY FOR 6527) | | (HEAVY DUTY FOR 6527) | | (HEAVY DUTY FOR 6527) | | (HEAVY DUTY FOR 6527) | |
| PART # | | L.Z. | | REV. | | DATE | |
| N/A | | N/A | | 1/1 | | D 6527-2170-B | |
| A | | A | | A | | A | |



2170 WIRE DIAGRAM

| | | | | | | | | |
|--|----------|--------|--------|-------|------------|----|-------------------------------|--|
| | CONTRACT | | | | | | MANUFACTURING COMPANY LIMITED | |
| | MATERIAL | | | | | | DRAWING NO | |
| DIMENSIONS IN INCHES | | | DWN | DY | MO | YR | TITLE | |
| ANGULAR | X' | ±0.25' | L.Z. | 02 | 06 | 02 | 2170 WIRE DIAGRAM | |
| LINEAR | X.X | ±0.01 | CHK | H.A. | 06 | 10 | 08 | |
| | X.XX | ±0.005 | SCALE | SHEET | DRAWING NO | | | |
| | X.XXX | ±0.002 | N.T.S. | 1 / 1 | A2170- | | B | |
| FRACTIONS ±1/64 | | | | | | | | |
| ALL MACHINED SURFACES UNLESS OTHERWISE SPECIFIED | | | | | | | | |